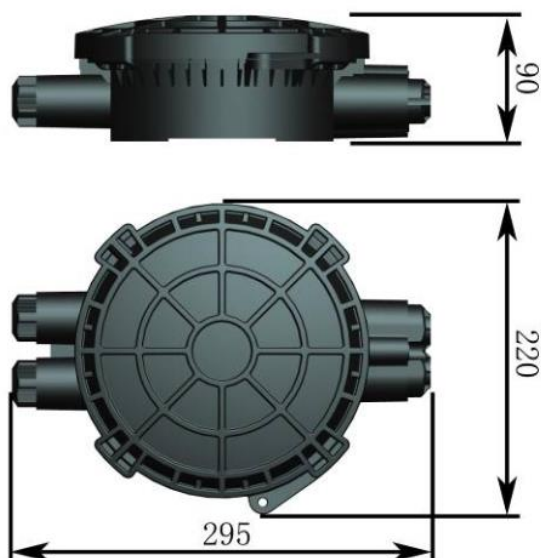


MSC – P – K36

Fiber optic joint is used to connect fiber optic cables in the field. It protects the fibers and welds from mechanical damage and environmental influences, and enables simple fiber management



Fiber optic enclosure MSC-P-36

main features:

- capacity up to 36 thermal splices,
- up to 3 cassettes, each with capacity of 12 splices, can be installed,
- cable ports: 2 round and 1 oval,
- mechanical port seals,
- mechanical locking system for multiple access
- wall mounting,
- IP 68.

kit for K36 completion:

- 3 splice cassettes, each for 12 splices
- 36 splice covers,
- 2 round port seals,
- 1 oval port sealing kit,
- cable ties,
- insulating tape.

separately ordered options:

- round port seals:
 - 1x4 (Ø5-7mm)
 - 1x8 (Ø3-5mm)

sectors:



MSC – P – K36

technical specifications:

MSC-P-K36	
Dimensions [S x W x G] [mm]	295 x 220 x 90
Max. number of cassettes	3
Max. Number of splices	36
Number of round ports	2
Number of oval ports	1
Diameter of inserted cables[mm]	Ø8 – 17,5
Weight [kg]	2,0 – 2,3
IP tightness degree	68
Insulation resistance [MΩ]	2 x 10 ⁴
Operational temperature [°C]	- 40 to + 65
Material	PP + GF

ordering:

0	1	description
MSC-P-		Flat fiber optic enclosure MSC-P
	K36	Flat fiber optic enclosure MSC-P, 36 thermal splices